

Toggle Clamps

Steel / Stainless Steel, Operating Lever Horizontal, with Lock Mechanism, with Side Mounting

SPECIFICATION

Types

- Type **MFL**: Forked clamping arm, with two flanged washers
- Type **MFLC**: Forked clamping arm, with two flanged washers and clamping screw GN 708.1

Tensioning mechanism

- Steel **ST**
 - Sheet metal parts
 - Case hardening steel C10, zinc plated, blue passivated
 - Bearing bolt tempered
- Stainless steel **AISI 304 NI**
- Moving parts lubricated with special grease

Handle

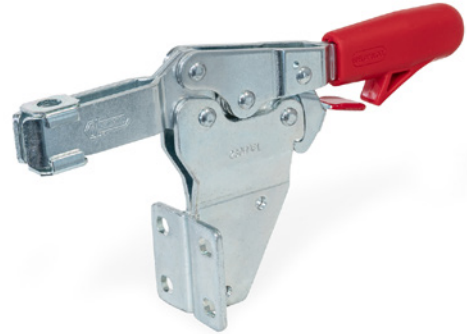
Plastic
Red, oil resistant

Flanged washers GN 898

- Steel
 - Zinc plated, blue passivated for ST
- Stainless steel **AISI 304** for NI

Clamping screw GN 708.1 for type MFLC

- Steel, zinc plated, blue passivated for ST
- Stainless steel **AISI 304** for NI
- Thrust pad
 - Chloroprene rubber (CR)
 - Hardness 85 Shore A ≈
 - Vulcanized
 - Black
 - Type A (flat pressure area)



INFORMATION

Toggle clamps GN 820.5 are securely locked while in the clamped position to prevent release by accident or due to vibrations. To release the clamp, the lock is disengaged with a single-handed operation.

Clamping is based on the toggle lever principle, with the clamping lever and clamping arm moving in opposite directions. The mounting surface, rotated by 90°, allows for compact installation next to the clamping point. The low overall height in the clamped position is another distinguishing feature of these clamps.

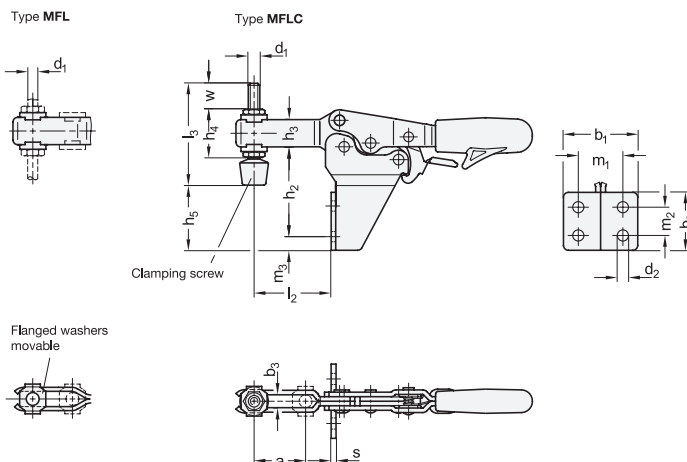
Toggle clamps with forked clamping arm of type MFL accommodate an application-specific screw via two flanged washers. A clamping screw with rubber thrust pad is additionally included with type MFLC.

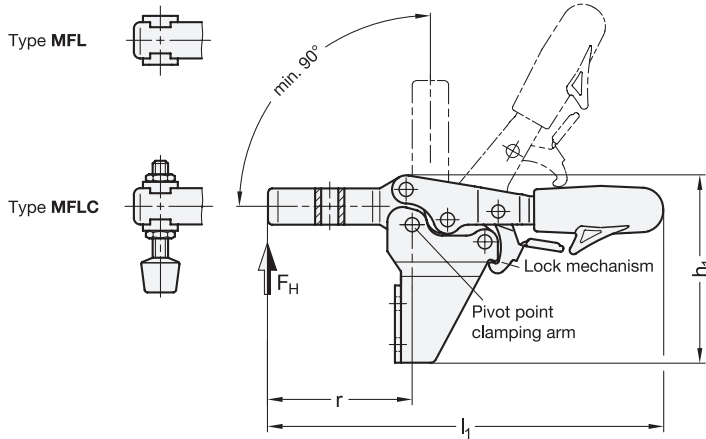
ACCESSORY

- Clamping Screws (see page 1623 ff.)
- GN 801 Holders for Clamping Screws (for Type MFL) (see page 1629)
- GN 801.1 Clamping Arm Extenders (for Type MFL) (see page)
- GN 801.2 Clamping Arm Extenders (for Type MFL) (see page)

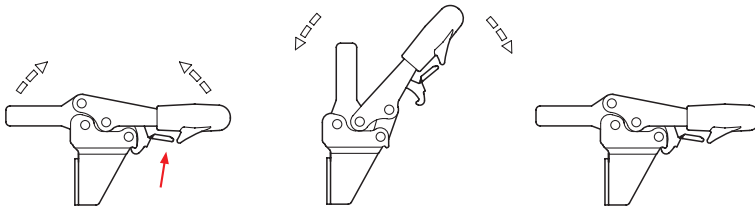
TECHNICAL INFORMATION

- General Information for Toggle Clamps (see page 1560)
- Stainless Steel Characteristics (see page A26)





Operating principle



GN 820.5-ST

Description	Size	F _H Clamping force in N	a ≈	b ₁	b ₂	b ₃	d ₁	d ₂	h ₁	h ₂	h ₃	h ₄	h _s max.	l ₁	l ₂	l ₃	m ₁	m ₂	m ₃	r	s	w Adjustable range	⚖
GN 820.5-75-MFL-ST	75	900	20	30	25.5	5.3	M5	4.5	62	39	11	-	-	118	30	-	18	13.5	6	42.5	2	-	105
GN 820.5-75-MFLC-ST	75	900	20	30	25.5	5.3	M5	4.5	62	39	11	19	30	118	30	45	18	13.5	6	42.5	2	17	125
GN 820.5-130-MFL-ST	130	1000	32	39	35	6.5	M6	5.5	85	57.5	16	-	-	170	45	-	26	22	6.5	61	2.5	-	240
GN 820.5-130-MFLC-ST	130	1000	32	39	35	6.5	M6	5.5	85	57.5	16	25.5	47.5	170	45	55	26	22	6.5	61	2.5	17.5	260
GN 820.5-230-MFL-ST	230	1700	37	43	40	8.5	M8	6.5	102	69	18	-	-	196	52	-	28.5	24	8	70	3	-	400
GN 820.5-230-MFLC-ST	230	1700	37	43	40	8.5	M8	6.5	102	69	18	30	53	196	52	68	28.5	24	8	70	3	20	420

GN 820.5-NI

STAINLESS STEEL

Description	Size	F _H Clamping force in N	a ≈	b ₁	b ₂	b ₃	d ₁	d ₂	h ₁	h ₂	h ₃	h ₄	h _s max.	l ₁	l ₂	l ₃	m ₁	m ₂	m ₃	r	s	w Adjustable range	⚖
GN 820.5-75-MFL-NI	75	900	20	30	25.5	5.3	M5	4.5	62	39	11	-	-	118	30	-	18	13.5	6	42.5	2	-	105
GN 820.5-75-MFLC-NI	75	900	20	30	25.5	5.3	M5	4.5	62	39	11	19	30	118	30	45	18	13.5	6	42.5	2	17	125
GN 820.5-130-MFL-NI	130	1000	32	39	35	6.5	M6	5.5	85	57.5	16	-	-	170	45	-	26	22	6.5	61	2.5	-	240
GN 820.5-130-MFLC-NI	130	1000	32	39	35	6.5	M6	5.5	85	57.5	16	25.5	47.5	170	45	55	26	22	6.5	61	2.5	17.5	260
GN 820.5-230-MFL-NI	230	1700	37	43	40	8.5	M8	6.5	102	69	18	-	-	196	52	-	28.5	24	8	70	3	-	400
GN 820.5-230-MFLC-NI	230	1700	37	43	40	8.5	M8	6.5	102	69	18	30	53	196	52	68	28.5	24	8	70	3	20	420

